

PROFESSIONAL HYGIENE SOLUTIONS

SURGICAL SCRUB SINK



Wall Mounted Version



Free Standing Version

Surgical Scrub Sink 1, 2 or 3 Station (s)

Surgical Scrub Sink is designed for use in health care institutions providing surgeons with a convenient sink for pre-op scrub up.

Fixture is fabricated from heavy gage, type 304 stain less steel and is seamless welded construction with a satin finish. The cabinet interior is sound deadened with a fire-resistant material. The unit is designed to be installed on the wall using a mounting carrier or it can be floor mounted on a SS pedestal base.

Scrub Sink is provided with a front access panel, which is easily removed for access to the water control valves, waste connections, stops, strainers and other hardware parts. Scrub sink has a sloping bottom surface to minimize splashing and a 1-1/2" OD tailpiece with a 3" flat strainer drain.

Backsplash has a gooseneck assembly with spray head that can be removed for sterilization.

Hands Free Operation includes infrared sensor located on back panel / Front Panel.

Thermostatic Mixing Valve Control is located behind the access panel and maintains a constant water temperature. This easily adjustable, anti-scald valve will automatically shut off if the hot or cold water supply fails.

Solenoid Valve is a slow closing, anti-water hammer type.

TECHNICAL SPECIFICATIONS

For understanding an illustrative drawing/design of a Surgical Scrub Sink specifying the options is given on back page. Fixtures are fabricated from heavy gage, type 304 stainless steel, with seamless welded construction with a satin finish. The cabinet interior comprised of a sound deadening, fire-resistant material. Cabinet comprised of removable access panel to allow access to water control valves, waste control valves, waste connections, stops, strainers and other hardware parts. Sink comprised of a sloping bottom to minimize splashing and a 3" flat strainer drain. Gooseneck offers a removable spray head. Fixtures include a thermostatic mixing valve with slow closing, anti-water hammer solenoid valve, infrared sensor and transformer. Transformer is wired to a GFI protected circuit. We, the manufacturer provide necessary installation instructions making the task of installation related work very friendly.

A hand free, easy to use standard or customised system for maintaining hygiene in critical areas meeting the challenges to avoid cross infection.

Wall mounted system and stand version with wheels or without wheels. Sites with all sizes are acceptable.

INCASMEDICAL

PROFESSIONAL HYGIENE SOLUTIONS

SURGICAL SCRUB SINK

Surgical Scrub Sink 1,2 or 3 Station (S)

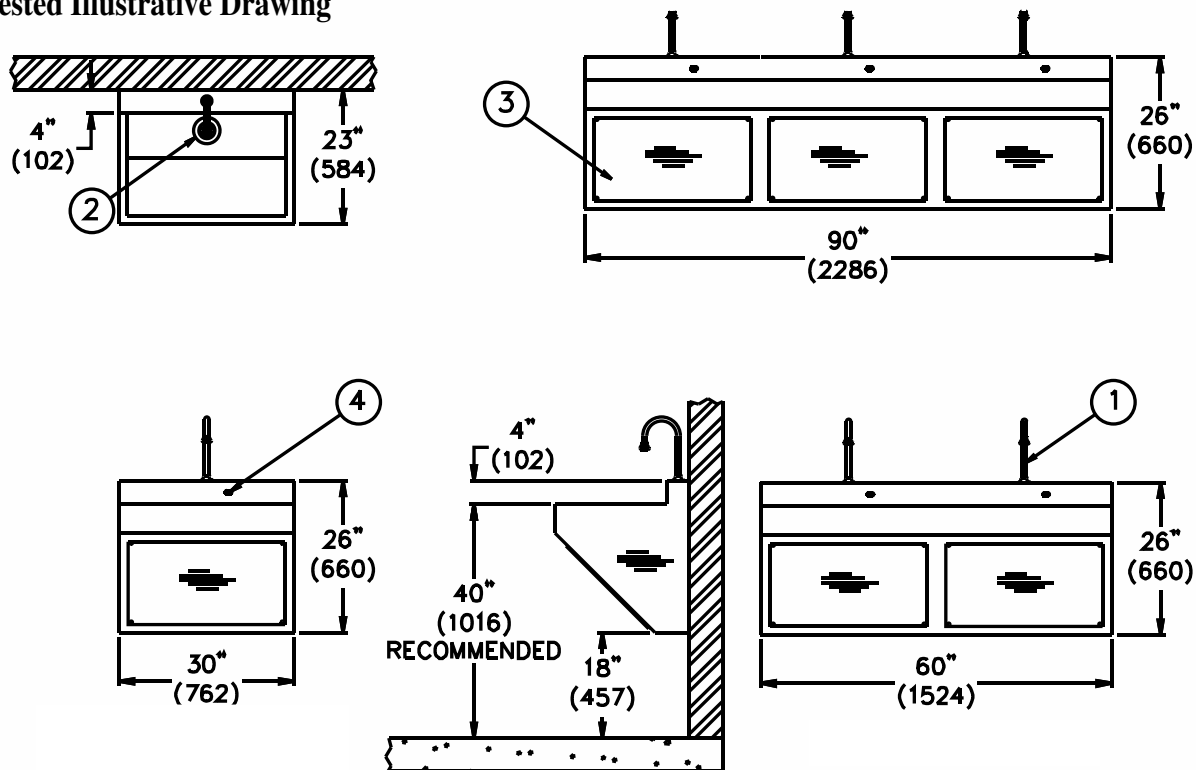
MODEL AND OPTIONS SELECTION

BASE MODEL	VERSION	DIMENSIONS
<input type="checkbox"/> Compact Surgical Scrub Sink (1 Station) CAS1	<input type="checkbox"/> Wall Mounted	<input type="checkbox"/> STANDARD
<input type="checkbox"/> Compact Surgical Scrub Sink (2 Stations) CAS2	<input type="checkbox"/> Free Standing	<input type="checkbox"/> CUSTOMISED
<input type="checkbox"/> Compact Surgical Scrub Sink (3 Stations) CAS3		<input type="checkbox"/> CUSTOMISED STRUCTURE ONLY

PRODUCT OPTIONS

- | | |
|---|---|
| <ul style="list-style-type: none"> <input type="checkbox"/> LFN Laminar Flow Nozzle <input type="checkbox"/> MXP Pressure Balancing Mixing Valve <input type="checkbox"/> SA Splash Panel <input type="checkbox"/> DTD Digital Time Display <input type="checkbox"/> ETC Electronic Timing Controller <input type="checkbox"/> LM Light Module <input type="checkbox"/> PDM Metering Liquid Soap Dispenser <input type="checkbox"/> Automatic Sensor based Water Soap Dispensing <input type="checkbox"/> SFS Soap Flush System <input type="checkbox"/> Battery backup for sensors | <ul style="list-style-type: none"> SS Storage Shelf SWV Swivel Nozzle on Gooseneck Manual foot operated water tap For Emergency. Pre-filtration less than 0.5 micron for removal of physical impurities Electronic de scalar and thermo static mixer (Hot water + Cold water) Pipe aseptic system Manual elbow operated water tap For Emergency. Enhoused Geysers Bacteriological Water Treatment System using U.V radiation U.V source Elapse Time Counter |
|---|---|

Suggested Illustrative Drawing



NOTES:

- | | |
|------------------------------|----------------------------|
| 1. Gooseneck Spout Assembly. | 3. Removable Access Panel. |
| 2. Flat Strainer Drain. | 4. Infrared Sensor. |

INCASMEDICAL

Via Monterosa, 20038 Seregno (Mi) ITALY
 Tel. +39 0362 325.267, Fax +39 0362 325.090
sales@incasmedical.com, www.incasmedical.com

We request our channel partners and customers to get in touch with us by email only.



Certification & Inspection
 ISO 9001:2015 Cert. No. UQ-103041816
 ISO 13485:2016 Cert. No. UQ-103041817